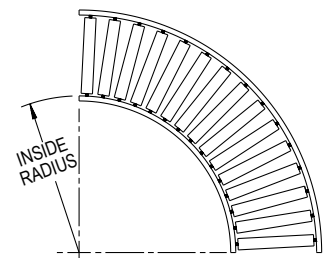


ROLLER

Gravity Roller Curve Conveyor
 (2 1/2 in. Dia. x 11 Ga. Rollers)
 (2 3/8 in. Dia. x 7 Ga. Rollers)

Heavy-duty gravity roller curve conveyors add versatility to straight gravity roller conveyors. Curves are supplied with 2 1/2 in. dia. rollers mounted in a powder painted steel channel. Curves may be furnished with rollers set high, or with rollers set low to form 3/4 in. high guard rails.



OAW	BR	Inside Radius	Rollers Per Curve 90°	Model No. 25SRC 2 1/2" Rollers	Weight (Lbs) 90°	Model No. 26SRC 2 3/8" Rollers	Weight (Lbs) 90°		
16 1/4"	13"	32 1/2"	16 Single	25SRC-13-90S	170	26SRC-13-90S	196		
18 1/4"	15"			25SRC-15-90S	185	26SRC-15-90S	216		
20 1/4"	17"			25SRC-17-90S	200	26SRC-17-90S	235		
22 1/4"	19"			25SRC-19-90S	212	26SRC-19-90S	252		
24 1/4"	21"			25SRC-21-90S	230	26SRC-21-90S	274		
26 1/4"	23"			25SRC-23-90S	245	26SRC-23-90S	294		
28 1/4"	25"			25SRC-25-90S	260	26SRC-25-90S	313		
30 1/4"	27"			25SRC-27-90S	276	26SRC-27-90S	333		
34 1/4"	31"			48"	37 Double	25SRC-31-90D	432	26SRC-31-90D	505
36 1/4"	33"					25SRC-33-90D	451	26SRC-33-90D	530
40 1/4"	37"	25SRC-37-90D	589			26SRC-37-90D	578		
42 1/4"	39"	25SRC-39-90D	508			26SRC-39-90D	602		
46 1/4"	43"	25SRC-43-90D	546			26SRC-43-90D	650		
50 1/4"	47"	25SRC-47-90D	583			26SRC-47-90D	697		
54 1/4"	51"	25SRC-51-90D	622			26SRC-51-90D	746		

OAW	BR	Inside Radius	Rollers Per Curve 45°	Model No. 25SRC 2 1/2" Rollers	Weight (Lbs) 45°	Model No. 26SRC 2 3/8" Rollers	Weight (Lbs) 45°		
16 1/4"	13"	32 1/2"	8 Single	25SRC-13-45S	91	26SRC-13-45S	104		
18 1/4"	15"			25SRC-15-45S	98	26SRC-15-45S	113		
20 1/4"	17"			25SRC-17-45S	106	26SRC-17-45S	123		
22 1/4"	19"			25SRC-19-45S	113	26SRC-19-45S	133		
24 1/4"	21"			25SRC-21-45S	121	26SRC-21-45S	143		
26 1/4"	23"			25SRC-23-45S	128	26SRC-23-45S	152		
28 1/4"	25"			25SRC-25-45S	136	26SRC-25-45S	162		
30 1/4"	27"			25SRC-27-45S	143	26SRC-27-45S	172		
34 1/4"	31"			48"	19 Double	25SRC-31-45D	311	26SRC-31-45D	349
36 1/4"	33"					25SRC-33-45D	323	26SRC-33-45D	363
40 1/4"	37"	25SRC-37-45D	348			26SRC-37-45D	393		
42 1/4"	39"	25SRC-39-45D	360			26SRC-39-45D	408		
46 1/4"	43"	25SRC-43-45D	385			26SRC-39-45D	438		
50 1/4"	47"	25SRC-47-45D	408			26SRC-47-45D	467		
54 1/4"	51"	25SRC-51-45D	434			26SRC-51-45D	498		

OAW	BR	Inside Radius	Rollers Per Curve 60°	Model No. 25SRC 2 1/2" Rollers	Weight (Lbs) 60°	Model No. 26SRC 2 3/8" Rollers	Weight (Lbs) 60°		
16 1/4"	13"	32 1/2"	10 Single	25SRC-13-60S	128	26SRC-13-60S	147		
18 1/4"	15"			25SRC-15-60S	138	26SRC-15-60S	162		
20 1/4"	17"			25SRC-17-60S	150	26SRC-17-60S	177		
22 1/4"	19"			25SRC-19-60S	159	26SRC-19-60S	189		
24 1/4"	21"			25SRC-21-60S	173	26SRC-21-60S	205		
26 1/4"	23"			25SRC-23-60S	183	26SRC-23-60S	221		
28 1/4"	25"			25SRC-25-60S	195	26SRC-25-60S	235		
30 1/4"	27"			25SRC-27-60S	207	26SRC-27-60S	250		
34 1/4"	31"			48"	23 Double	25SRC-31-60D	324	26SRC-31-60D	378
36 1/4"	33"					25SRC-33-60D	339	26SRC-33-60D	398
40 1/4"	37"	25SRC-37-60D	366			26SRC-37-60D	433		
42 1/4"	39"	25SRC-39-60D	381			26SRC-39-60D	451		
46 1/4"	43"	25SRC-43-60D	410			26SRC-43-60D	488		
50 1/4"	47"	25SRC-47-60D	438			26SRC-47-60D	523		
54 1/4"	51"	25SRC-51-60D	467			26SRC-51-60D	559		

OAW	BR	Inside Radius	Rollers Per Curve 30°	Model No. 25SRC 2 1/2" Rollers	Weight (Lbs) 30°	Model No. 26SRC 2 3/8" Rollers	Weight (Lbs) 30°		
16 1/4"	13"	32 1/2"	5 Single	25SRC-13-30S	57	26SRC-13-30S	65		
18 1/4"	15"			25SRC-15-30S	61	26SRC-15-30S	72		
20 1/4"	17"			25SRC-17-30S	66	26SRC-17-30S	78		
22 1/4"	19"			25SRC-19-30S	70	26SRC-19-30S	84		
24 1/4"	21"			25SRC-21-30S	75	26SRC-21-30S	91		
26 1/4"	23"			25SRC-23-30S	81	26SRC-23-30S	97		
28 1/4"	25"			25SRC-25-30S	86	26SRC-25-30S	103		
30 1/4"	27"			25SRC-27-30S	91	26SRC-27-30S	110		
34 1/4"	31"			48"	13 Double	25SRC-31-30D	143	26SRC-31-30D	167
36 1/4"	33"					25SRC-33-30D	148	26SRC-33-30D	175
40 1/4"	37"	25SRC-37-30D	161			26SRC-37-30D	191		
42 1/4"	39"	25SRC-39-30D	167			26SRC-39-30D	198		
46 1/4"	43"	25SRC-43-30D	181			26SRC-43-30D	215		
50 1/4"	47"	25SRC-47-30D	192			26SRC-47-30D	230		
54 1/4"	51"	25SRC-51-30D	205			26SRC-51-30D	246		

• STANDARD SPECIFICATIONS

WIDTHS—Between Rail Width 13 in., 15 in., 17 in., 19 in., 21 in., 23 in., 25 in., 27 in., 31 in., 33 in., 37 in., and 39 in., 43 in., 47 in., & 51 in.

FRAME—4 in. deep x 1 1/8 in. flange x 4 ga. powder painted formed steel channel with bolt-in cross members set high, welded cross members set low.

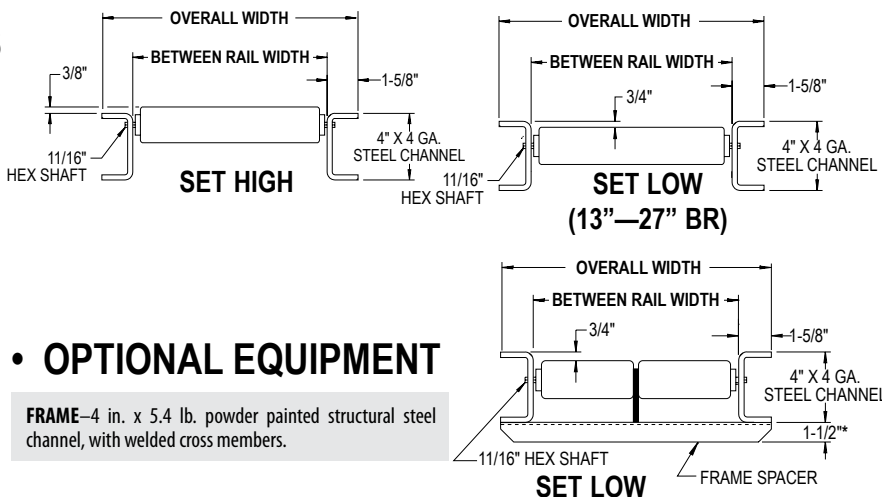
BUTT COUPLINGS—For bolting sections together.

CURVES—30°, 45°, 60° and 90° with 32 1/2 in. inside radius up to 27 in., 48 in. inside radius on 31 in. to 51 in. between rail widths.

ROLLERS—25-SRC 2 1/2 in. dia. x 11 ga. steel tubing. Bearings are labyrinth sealed and grease packed.

AXLES—1 1/8 in. hex shaft, spring loaded.

CAPACITY—Same per foot capacity as straight sections. See charts previous page.



• OPTIONAL EQUIPMENT

FRAME—4 in. x 5.4 lb. powder painted structural steel channel, with welded cross members.

*Frame spacer 1 1/2" below channel on 31" to 51" BR only.

