

Cantilever Rack Options and Accessories

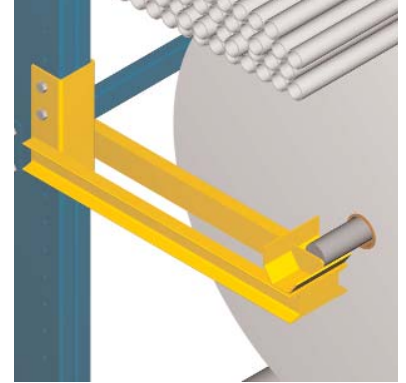
Roof Brackets:

Attaches to arms to accept stringers for roof structure.



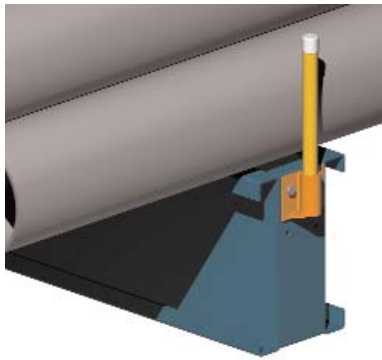
Core/Axle Saddles:

Attaches to arms for accepting core/axle of rolled materials.



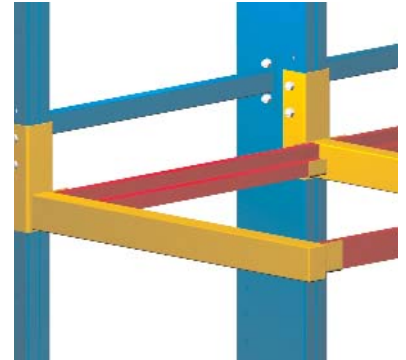
Removable Pipe End Stops:

Attaches to arms or base, includes pipe, bracket and plastic cap.



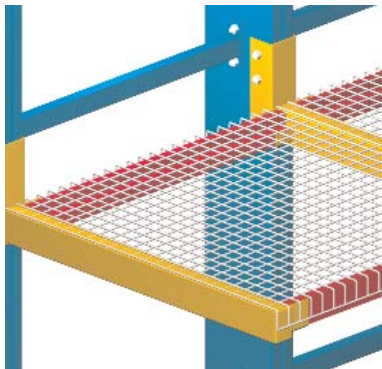
Saddles:

Attaches to arms. Used for decking supports.



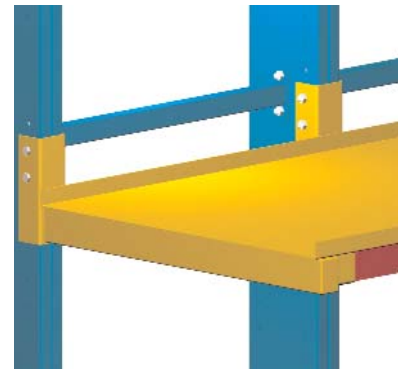
Wire Deck:

Attaches to arms for storage of odd lengths of bar, rounds, etc.



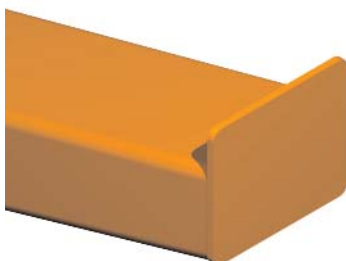
Drop-on Pans:

Attaches to arms for storage of odd lengths of bar, rounds, etc.



Welded End Lips:

Welded to arms or base. Many heights available.



Bolted End Lips:

Arms punched to accept optional removable end lip.

