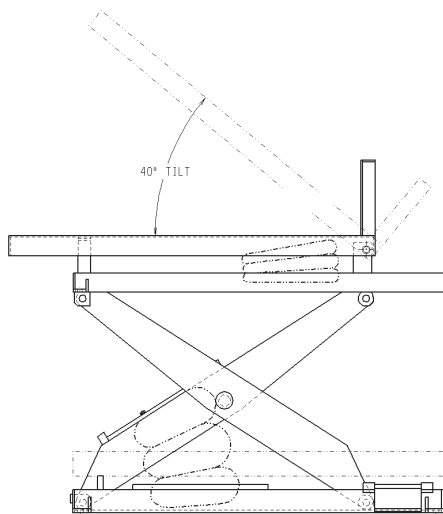


PNEUMATIC

Lift Tables • Tilters • Lift & Tilts

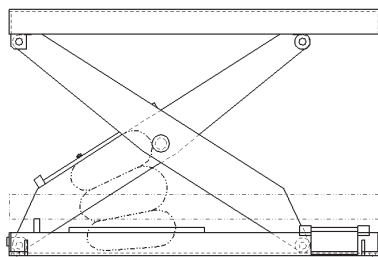
Rugged, powerful lift, tilt or lift and tilt tables for use at any workstation where shop air is available. Southworth pneumatics can handle loads up to 4,000 lbs. with as little as 80 psi. They require less maintenance than conventional lifts and tilters, and because they do not use hydraulics there is no risk of any contaminants in the production process.



SPECIFICATIONS AND DIMENSIONS

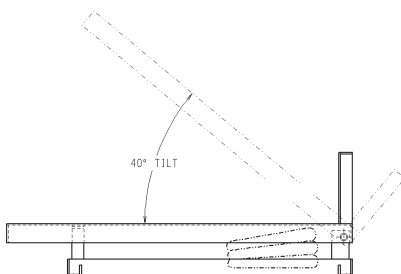
PNEUMATIC LIFT & TILT

Model	Capacity	Standard Platform	Max Platform	Lowered Height	Travel Vertical	Travel Angular	Raised Height	Power Requirement
LTA2-24	2000 lbs.	30" x 48"	48" x 72"	14 1/4"	24"	40°	38 1/4"	80 psi
LTA4-24	4000 lbs.	46" x 48"	66" x 56"	14 1/4"	24"	40°	38 1/4"	80 psi



PNEUMATIC LIFT

Model	Capacity	Standard Platform	Max Platform	Lowered Height	Travel	Raised Height	Power Requirement
LSA2-24	2000 lbs.	26" x 48"	48" x 72"	7 1/2"	24"	31 1/2"	80 psi
LSA4-24	4000 lbs.	42" x 48"	66" x 72"	8"	24"	32"	80 psi



PNEUMATIC TILTER

Model	Capacity	Standard Platform	Max Platform	Lowered Height	Travel (angular)	Power Requirement
TA2-40	2000 lbs.	24" x 48"	56" x 72"	9"	40°	80 psi
TA4-40	4000 lbs.	42" x 48"	66" x 56"	9"	40°	80 psi

NOTE: Standard base widths may change to accommodate some oversize platforms.

Other Products in Southworth's Complete Line of Lifting and Positioning and Equipment



BACKSAVER LIFTS – AVAILABLE IN OVER ONE MILLION VARIATIONS

Extremely rugged and reliable Southworth Backsaver Lifts are used in thousands of locations everyday involving, machine feeding, work positioning, assembly, order picking, pallet loading, and many other applications.



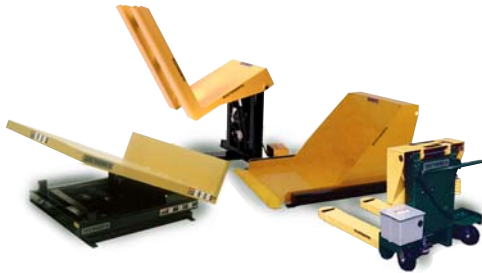
LIFTER/TRANSPORTERS

These inexpensive lifter/transporters make just about any job easier. They are essential wherever lifting, positioning, assembling, stacking, unstacking, transporting or the need for an adjustable height work surface is part of the job. Available in several models including: low profile for use with skids, containers or plastic pallets; self-leveling units and battery powered mechanical lifts.



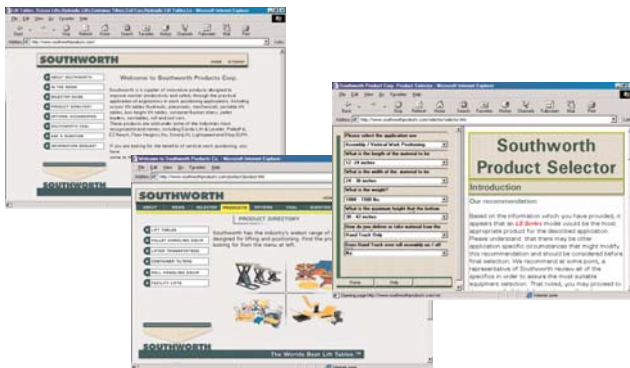
PALLETPAL® PALLET LEVEL LOADERS

These simple devices have revolutionized manual pallet loading and unloading by making the process faster, easier and safer. Products include Mechanical and Pneumatic auto adjusting load levelers, roll-on hydraulic levelers, portable turntables and even stretch wrappers.



E-Z REACH™ CONTAINER TILTERS

Available in a variety of sizes and configurations, these container tilters are designed to improve worker productivity and safety by positioning wire baskets and other large containers so that parts are easily accessible without the need for bending, stretching, reaching, or unnecessary lifting.



ALL THE INFORMATION YOU NEED AT THE CLICK OF A MOUSE

In order to provide customers with the information they need when they need it, Southworth has established the most complete and comprehensive website in the industry. Users can view product specifications or get help picking the right product for their application by using the state-of-the-art application selector guide.

Visit www.SouthworthProducts.com



Southworth Products Corp.
P.O. Box 1380, Portland, ME 04104-1380
TEL: (800) 743-1000 FAX: (207) 797-4734
e-mail: salesinfo@SouthworthProducts.com
www.SouthworthProducts.com