



**ELEVATE
YOUR
STANDARDS[®]**

Laddergard[™] Safety Swing Gate

Keeping personnel safe is a vital concern in every facility

High-traffic access ladders can present many risks and are often located in obscure areas. Wildeck's Laddergard[™] is the perfect cost-effective solution to improve safety in your facility.

Don't overlook the need for protection in these important areas:

- ▶ **Loading dock ladders**
- ▶ **Mezzanine or platform access**
- ▶ **Rooftop ladders**
- ▶ **Maintenance access ladders**



GUARDING

LADDERGARD[™] SWING GATE

GENERAL SPECIFICATIONS

FEATURES AND BENEFITS:

Wildeck's self-closing Laddergard™ Safety Swing Gates are adjustable to fit openings from 16" to 40" and comply with OSHA 1910.23 safety requirements.

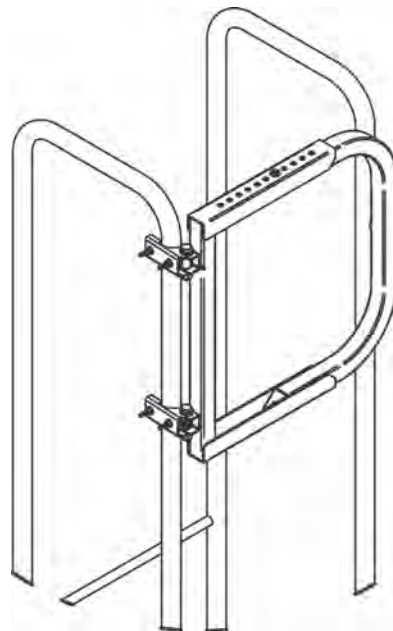
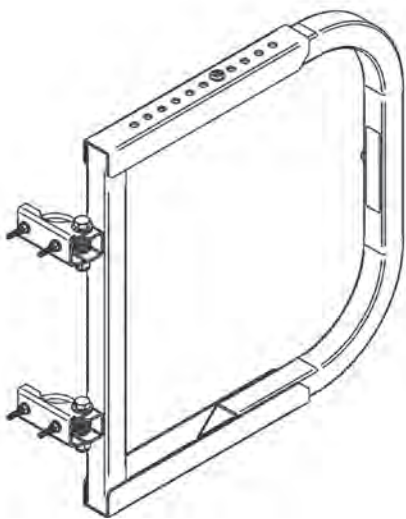
Laddergard™ gates are easy to install and have been designed for maximum durability and reliability. They are painted safety yellow for high visibility and feature a tough polyurethane finish that can withstand harsh industrial environments. All installation hardware and mounting instructions are included.

SPECIFICATIONS:

- ▶ Self-closing spring loaded hinges
- ▶ Reversible – left or right
- ▶ Easily installs to pipe rails up to 2" diameter
- ▶ Mounting hardware included
- ▶ Safety yellow paint finish
- ▶ Two available sizes to cover a wide range of openings:
 - ✓ WGLG-1626 adjustable from 16" to 26"
 - ✓ WGLG-2740 adjustable from 27" to 40"



Assembled Gate



**ELEVATE
YOUR
STANDARDS®**

P.O. Box 89 • 405 Commerce Street
Waukesha, WI USA 53186
262-549-4000 • 800-325-6939
FAX 262-549-3466 • info@wildeck.com
www.wildeck.com