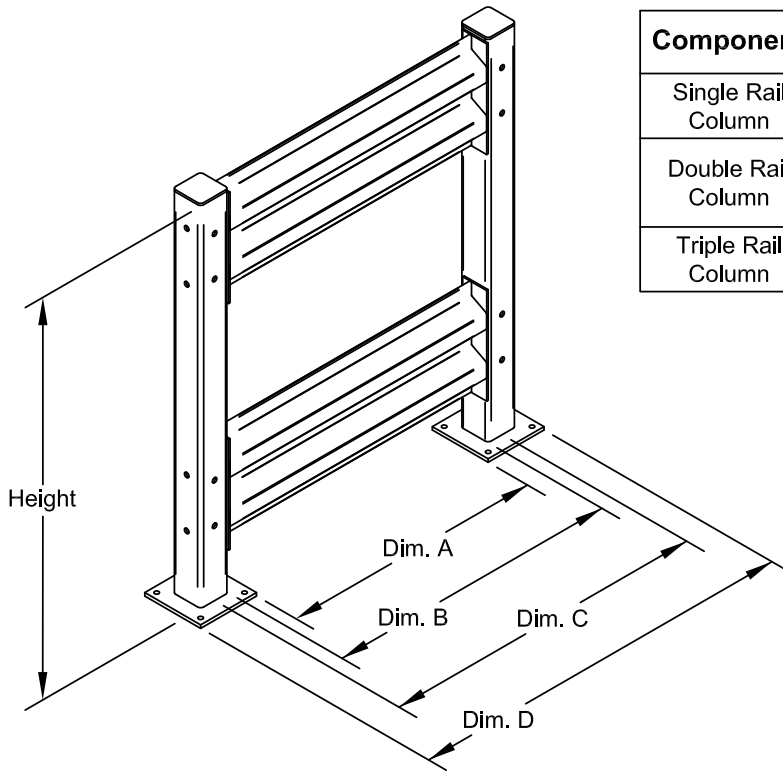


# WILGARD LT



Component	Part #	Height	Weight (w/ hardware)
Single Rail Column	WCL18	18"	18 lbs.
Double Rail Column	WCL44	44"	36 lbs.
Triple Rail Column	WCLT44	44"	36 lbs.

Component	Part #	Dim. A (btwn baseplates)	Dim. B (rail length)	Dim. C (center to center)	Dim. D (out to out)	Weight (w/ hardware)
10' Guard Rail	WL10	113"	116 1/2"	120"	123 1/2"	50 lbs.
9' Guard Rail	WL9	101"	104 1/2"	108"	111 1/2"	45 lbs.
8' Guard Rail	WL8	89"	92 1/2"	96"	99 1/2"	41 lbs.
7' Guard Rail	WL7	77"	80 1/2"	84"	87 1/2"	37 lbs.
6' Guard Rail	WL6	65"	68 1/2"	72"	75 1/2"	32 lbs.
5' Guard Rail	WL5	43"	56 1/2"	60"	63 1/2"	28 lbs.
4' Guard Rail	WL4	41"	44 1/2"	48"	51 1/2"	23 lbs.
3' Guard Rail	WL3	29"	32 1/2"	36"	39 1/2"	19 lbs.
2' Guard Rail	WL2	17"	20 1/2"	24"	27 1/2"	15 lbs.
10' Lift-Out Guard Rail	WL10L	113"	113 3/4"	120"	123 1/2"	62 lbs.
8' Lift-Out Guard Rail	WL8L	89"	89 3/4"	96"	99 1/2"	53 lbs.
6' Lift-Out Guard Rail	WL6L	65"	65 3/4"	72"	75 1/2"	44 lbs.
4' Lift-Out Guard Rail	WL4L	41"	41 3/4"	48"	51 1/2"	35 lbs.