



shelf//track

DROP-IN
CARTON FLOW
TO REPLACE
PLASTIC
WHEEL RAILS

Pick Smarter. Pick Better. Pick UNEX.



Shown with optional package stop



Shown with optional infeed guides



ShelfTrack from UNEX replaces unreliable plastic wheel rails with a durable carton flow system that drops easily into existing racks and shelves.

Benefits

- Eliminates hang-ups
- Low maintenance or replacement costs
- Unrivalled flow
- Works with any shelf
- Drop-in design delivers an efficient and accessible pick point for workers

Flow options

- **Roller lanes** provide 300% more surface area compared to plastic wheel rails to reduce imprinting and eliminate product hang-ups
- **Wheel beds** increase flexibility with slotting, providing 90% left to right bay usage



Roller lane and wheel bed comparison



ShelfTrack Lane and Bed Shared Features

- Drop-in design for easy installation
- Freezer/cooler rated
- Efficiently handles cartons and totes
- Capacity up to 50 lbs per foot, depending on shelf capacity
- Available in lengths cut to the quarter inch
- 7-year warranty



ShelfTrack Lane Features

- Provides 300% more product contact than plastic wheel rail
- No imprinting or hang-ups
- Optimized for product stacking
- The original full width carton flow track

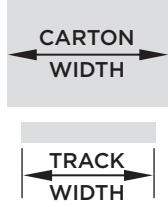
ShelfTrack Bed Features

- Maximum flexibility left-to-right for reslotting
- Shark fin infeed guides ease replenishment
- Hex hub wheel design for optimal flow
- The latest innovation from the Pickologists at UNEX

Selecting the Correct Track Width

SHELFTRACK LANE WIDTH GUIDE

ShelfTrack Lane is available in 6 different widths at varying capacities. Product width will be the primary factor in determining lane width. Product can overhang the lane, up to 3" on either side and maintain flow.



| SHELFTRACK WIDTH | MAXIMUM CARTON WIDTH |
|------------------|----------------------|
| 6" | 8" |
| 9" | 13-1/2" |
| 12" | 18" |
| 15" | 22-1/2" |

SHELFTRACK BED WIDTH GUIDE

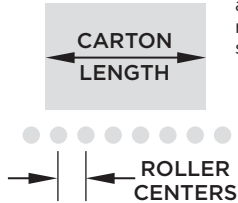
ShelfTrack Bed Widths are determined by the best track combination that fits within the width of the shelf. Example: for a 96" wide shelf, you can use (4) 18" wide beds & (2) 12" wide beds. This will create a 96" wide level of carton flow.



| SHELFTRACK BED WIDTH | OAW |
|----------------------|--------|
| 12" | 11.7" |
| 18" | 17.7" |
| 12" | 11.75" |
| 15" | 14.75" |
| 18" | 17.75" |

ROLLER CENTER GUIDE

Roller Centers refers to the spacing of distance between rollers within the sections. As product increases in length, additional space can be added between rollers/wheels. Having closer roller centers will increase the conveying surface and make the system more flexible.



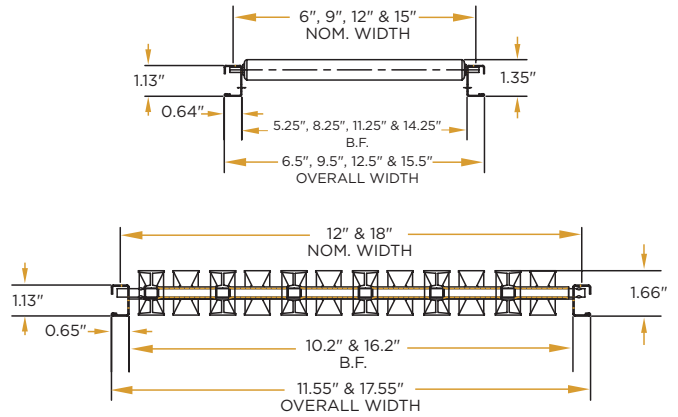
| MINIMUM CARTON LENGTH | MAXIMUM ROLLER CENTER |
|-----------------------|-----------------------|
| 4" | 1"* |
| 8" | 2" |
| 12" | 3" |

* Lane only

PART NUMBER EXAMPLE - SHELFTRACK

| | | | | | |
|-----------|-----------|-------------|-------------|----------------|------------|
| 97 | S2 | R | 6 | 2 | x79 |
| SERIES | END STYLE | ROLLER TYPE | TRACK WIDTH | ROLLER CENTERS | LENGTH |

97 SERIES - SHELFTRACK



Available End Styles

Stop (S0)

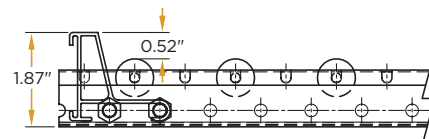
For applications where shelf is not sufficient for product stop. Standard on ShelfTrack Bed.

No Stop (S2)

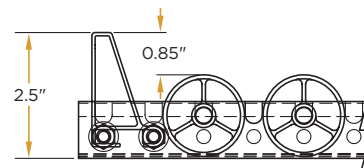
For applications where shelf height is sufficient for product stop.

Adjustable End

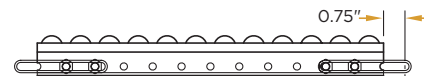
Available for special applications.



Roller Lane with Stop



Wheel Bed with Stop



Adjustable End

Pick **Smarter.**
Pick **Better.**
Pick **UNEX.**

unex.com



UNEX MANUFACTURING, INC.

691 New Hampshire Avenue, Lakewood, NJ 08701

800.695.SPAN (7726)

732-928-2800 • fax: 732-928-2828 • e-mail: span@unex.com

