



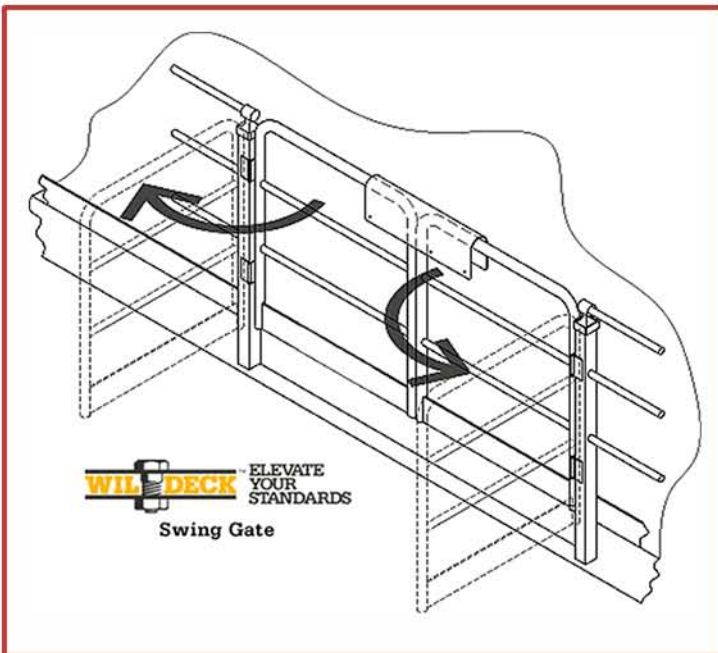
## ELEVATE YOUR STANDARDS

### For Safe Mezzanine Material Handling



Wildeck mezzanine swing gates are available with a standard clear opening of 6' - 0", but widths up to 8' - 0" can be specified. Swing gates are typically side mounted; however, a deck-mounted option is available. Gates can be fabricated with 2-rail, 3-rail, or mesh systems to match mezzanine or existing rail systems.

Wildeck swing gates are bi-parting and latched via a slide lock and barrel bolt. Custom doors can be provided to meet special requirements. A spring loaded option is available to return doors to a closed position when not in use thereby increasing worker safety.



- ▶ Solid, Quality Construction
- ▶ Easy, Fast Installation
- ▶ Functional, Reliable Design
- ▶ Painted Safety Yellow

STORING

SWING GATE

STORING | LIFTING | GUARDING

Wildeck, Inc. • P.O. Box 89 • 405 Commerce Street • Waukesha, WI 53186  
262-549-4000 • 800-325-6939 • FAX 262-549-3466 • info@wildeck.com  
www.wildeck.com